

System solutions are our element.

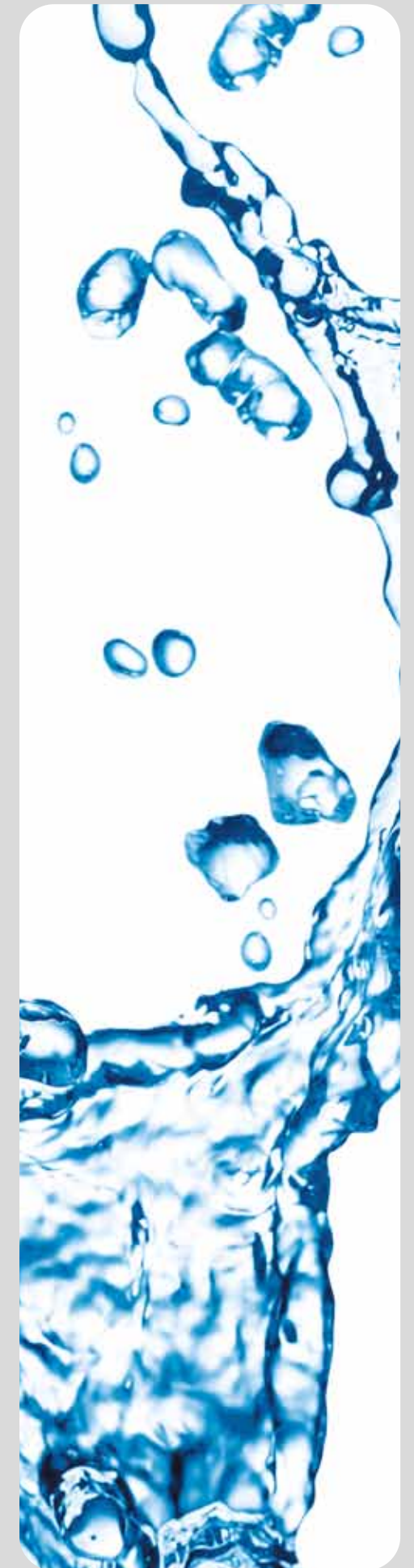


The enthusiasm for water

Swimming pools, ponds and natural pools are the epitome of fun, relaxation and wellbeing. Whether big or small, public or private, open or in nature – in and around water, children and adults will find the perfect balance to the everyday life.

Because of the enthusiasm for water, we are dedicated to exceptional system solutions for artificial and natural water systems. As a professional for activities in and around the basin, we plan, manufacture, supply and install our custom systems of all sizes and requirements for new facilities and renovations.

Many of our products and services have grown to market innovative evergreens. This situation does not stop us to optimize it all the time – simply for the pleasure of continuing development and a satisfied customer base.



Index

3- The enthusiasm for water 4- Innovations are part of our daily schedule 7- From a specialized company to an implementation company 8- Our clients 11- RRSys overflow gutter 12- RRSys components 15- Components for ponds and natural pools



Innovations are part of our daily schedule

Whether private or public pool – in each project we stand for a high level of responsibility towards an optimal and sustainable realization of swimming pools.

Among the high hygienic standards, based on DIN 19643 for the processing of swimming pool and bath water safety, functionality, modularity and flexibility are a top priority for us.

This high standard was established for our own interest in development as well as to justify the individual requirements of our customers. Therefore many of our innovative products have grown to market evergreens, which does not prevent us from constantly optimizing and refining our products – simply for the pleasure of continuing development and a satisfied customer base.

In specific terms, you can claim the experience of a genuine basin system professional – even if it is for instance necessary to renovate or optimize existing elements.





From a specialized company to an implementation company

The history of innovations for pools and ponds began already 1975 with company founder Herbert Reinhardt. The occurrence of too many shortcomings on swimming facilities were reason enough for him to forge a new path for system development and system maintenance.

What has started as a specialized company offers today, in the third generation already, an almost infinite quantity of ideas and professional implementations. Because of the increasing demand for foil lining of basins made 1980 as the initial year for the, until this day, successful RRSys gutter system and the related custom made components.

Our system solutions cover a constantly increasing and combinable range of overflow gutters, PVC-/FPO-/PE- and stainless steel components, foil lining and pool renovations. Beyond that our services cover quality- and leakage tests of existing connectivity solutions and third party components. It becomes increasingly important to advise these highly complex planning projects in a professional manner.

Since the founding of the company we are determined to manufacture our products in-house to assure a direct and accurate production and delivery of our plastic-, steel- and concrete elements.

We are already looking forward to implement your pool project with our practical experience, expertise and inspiration.

Your Reinhardt-Plast Team





Worldwide customer satisfaction

Our Customers

Our innovations are highly valued internationally – in Germany, Austria, Switzerland and Benelux until Poland and as far as Russia. No matter where our clients are based – each project is further evidence of our expertise. Convince yourself from the following excerpt of our customer list:

Foil lining

- Freibad Neugaugablonz
- Freibad Singhofen
- Heinrich-Fischer-Bad, Hanau
- Freibad Hindelang
- Freibad Lützelinden, Gießen
- Freibad Bous
- Dunlop-Werksbad, Hanau
- Freibad Lindenau, Hanau
- Freibad Schwalbach
- Freibad Windesheim
- Hallenbad Bruchköbel
- Freibad Heusweiler
- Freibad Frickhofen
- Freibad Kirchheim
- Hallenbad Stalowa Wola, PL
- Kinderbecken Kahl
- Kinderbecken Wehrheim
- Reha-Zentrum Konstantin, PL
- Silobad Frankfurt
- Sportbad Erfurt
- Tech. Akademie/Armee, PL
- Freibad Crumstadt
- Freibad Waldmohr
- Kinderbecken Riegelsberg
- Freibad Dudelange, L
- Freibad Grebenhain
- Freibad Straubing
- Freibad Breuberg
- Bank d. russ. Förderung, Moskau
- Kombibecken Löchgau
- Opelbad Wiesbaden
- Freibad Jungholz, Tirol
- Freibad Limburg
- Freibad Sprendlingen
- Poseidon-Bad, Worms
- Hallenbad Waiblingen
- Therapiebecken Hadamar
- Freibad Petersberg
- Kinderbecken Fritzlar
- Freibad Ingelheim
- Freibad Ruwertal, Mertesdorf
- Großherzogtum Luxemburg-Schlosspark, L
- Freibad Hattorf
- Waldschwimmbad Lollar
- Kleinfeldchen, Wiesbaden

Full assembly

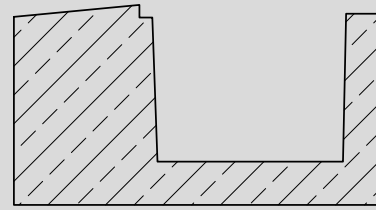
- Freibad Bruchköbel
- Kinderbecken Bruchköbel
- Hallen-/Freibad Oberkochen
- Freibad Mönchberg
- Freibad Oberaula
- Herzlinik Warschau, Polen
- Freibad Maßbach
- Hansa-Hotel, Magdeburg
- Schulbecken, Staufenberg
- Saulus-Klinik, Friedrichsdorf
- Freibad Datterode
- Freibad Heimertshausen
- Freibad Lindenau, Hanau
- Freibad Ohlstadt
- Freibad Orsingen-Nensingen
- Heinrich-Fischer-Bad, Hanau
- Freibad Ellerau
- Thermal Freibad Schlangenbad
- Waldbad Senne, Bielefeld
- Freibad Birkenfeld
- Naturfreibad Mettmann
- Campingplatz Clervaux, L
- Allwetterbad Ratingen-Lintorf
- Brevik Skole, Oslo, N
- Fitnesspark Schwetzingen
- Freibad Dornberg
- Freibad Schröttinghausen
- Freibad Birkenau
- Mengersberg
- Grafing
- Hotel Pfalzblick
- Kirn

Overflow Gutter assembly

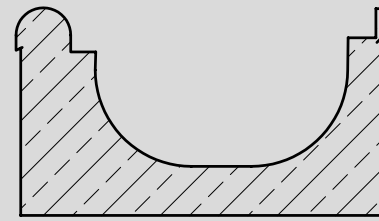
- Nordbad Trier
- Freibad Fuldathal
- Freibad Lauenau
- Freibad Mendig
- Freibad Hilchenbach
- Freibad Weibern
- Freibad Eslohe
- Naturfreibad Mühlheim a. d. Ruhr
- Freibad Waldsassen
- Sporthotel Brixen, A
- Freibad Dauphthal
- Naturheilwassersee
- Frankenthaltherme
- Hotel Tiefenbrunner Kitzbühel, A
- Brentanobad, Frankfurt a. M.
- Bali-Therme, Bad Oeynhausen
- Reiffenhausen-Friedland
- Naturerlebnisbad Einruhr
- Osterwieck, Wernigerode
- Freibad Wetter
- Freibad Hude
- Fitnesspark Speyer
- Freibad Regenstau
- Freibad Hattingen-Welper
- Hannover-Ricklingen
- Asmushausen
- Freibad Lahnstein
- Claudiusstherme
- Schnaittenbach
- Freibad Rosdorf
- Lausanne, CH
- Waldfreibad Vlotho, Valdorf
- Plantschbecken Ergomar, Ergolding

Other references (foil lining, components, RRSys, Gutter RRSys)

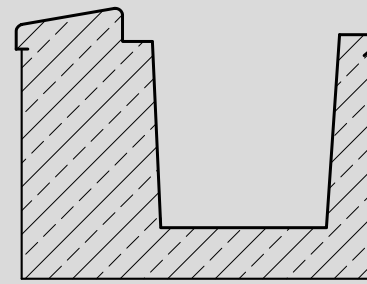
- Yellow Möbel
- Campingplatz Kronenberg, L
- NB Bielefeld-Brackwede
- NB Heringen
- Melbbad, Bonn
- Rochus Klub, Düsseldorf
- Bochum-Langendreer
- Münster-Stapelskotten
- Freibad Mlada Boleslav, CZ
- NB Bingen-Bingerbrück
- Nerchau
- Jagdschloss Niederwald
- Freibad Oelde-Stromberg
- Gesundheitszentrum Griesheim
- Freibad Körperich
- Leverkusen-Wiembachthal
- Riedstadt-Crumstadt
- Freibad Lünen-Brambauer
- NB Lastrup
- Freibad Rosdorf
- Freibad Moos, Schlieren CH
- Plantschbecken Ergomar, Ergolding



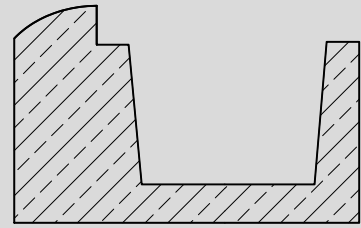
Gutter for tiles



Mettmann Gutter



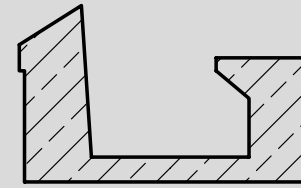
High Finnish Gutter



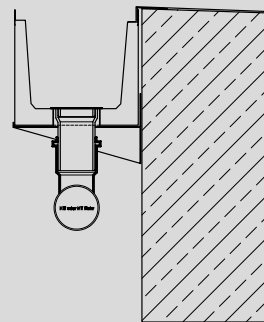
Gutter for Polyester



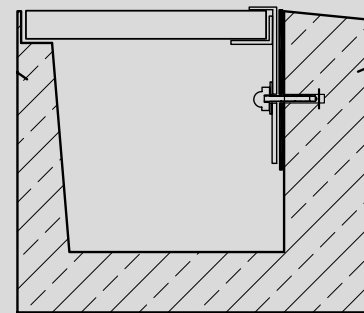
Finnisch Gutter



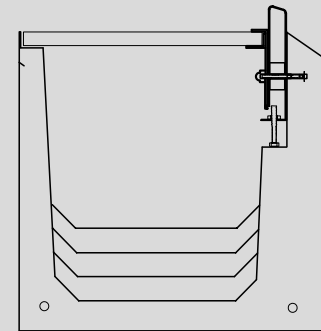
Special Overflow Gutter



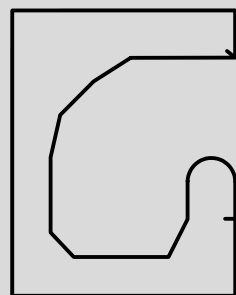
Console Gutter



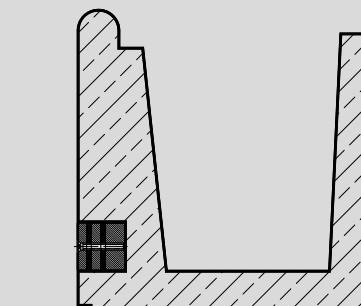
Frankfurt Gutter



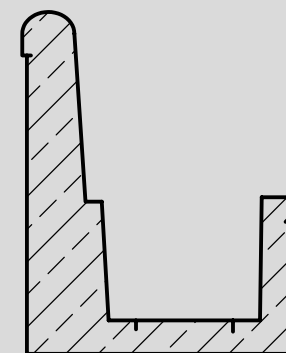
Height-adjustable-gutter Bretano



Wiesbaden Gutter



RRSys Overflow Gutter with stainless steel- Inlet/ sealing system



Overflow gutter St. Moritz

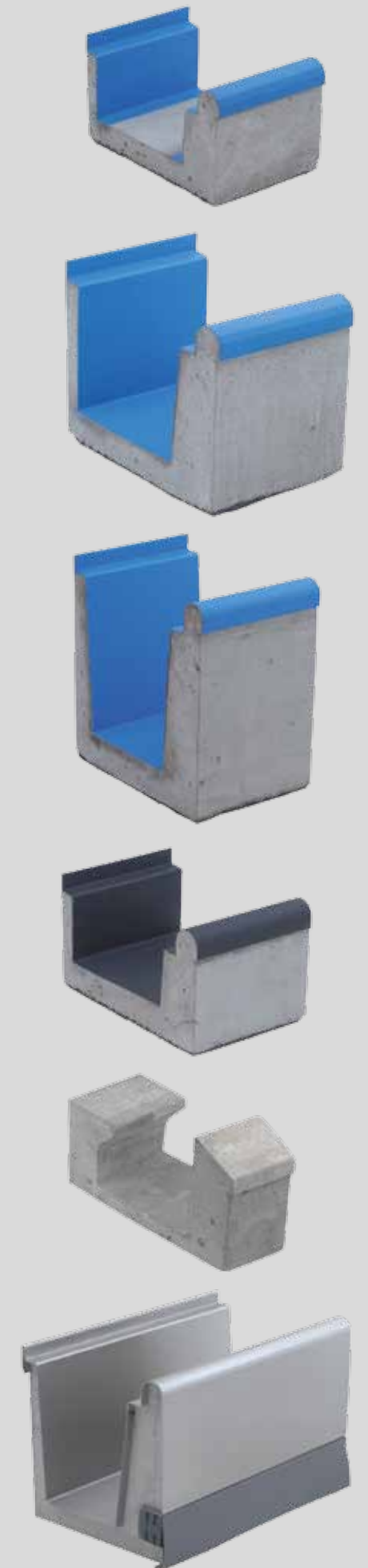
Individual, flexible, systemic

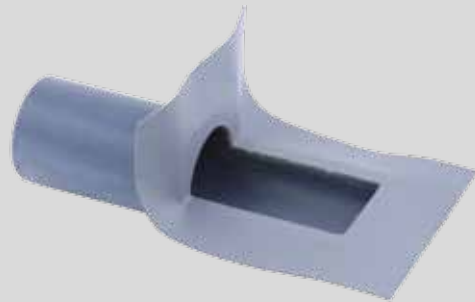
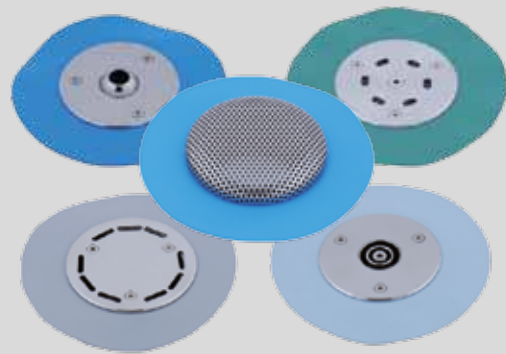
RRSys gutter system

Gutter systems are essential for the operation of an economic and hygienic sustainable bath and pool facility. It is the intention of the RRSys gutter system to find the optimal solution for your customized swimming pool concept. One example is to prevent your outdoor pool from the damaging influences of frost or to install an exceptional basin design.

The RRSys gutter system is a comprehensively designed approach to realize your ideas – whether stainless steel gutters or gutters without iron sheet like natural stone or tiles. All prefabricated concrete products are available as customized parts to install radial and elliptic basin rims, this way the possibilities of your creative pool and basin design is limitless. You define the type of foil coating – according to your plan. The overflow edge is designed in semi-circular form with a grab edge and available as optional readjusted type. Additional sizes and types e.g. the finnish or the internal “Wiesbadener” gutter are available in our system line.

In addition to that we offer you a comprehensive service for disassembling, assembling, bevel cut, core hole drilling, lining and so on. Basically for all our system solutions applies: Nothing's impossible, everything is possible. This is what we stand with our expertise and our practical experience.





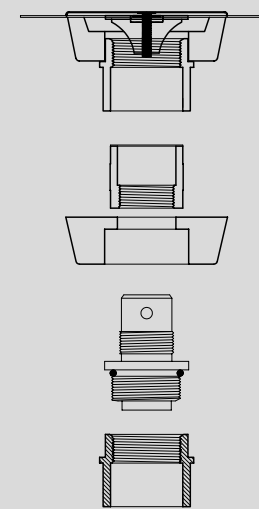
Combinable, Adjustable, Versatile

RRSys Components

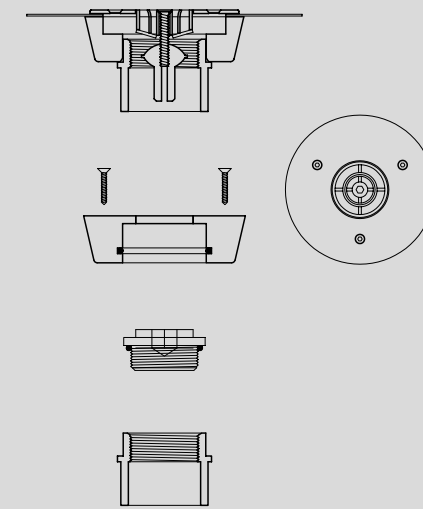
The innovation of the RRSys components lies in its unique, universal, applicability on and in the basin. RRSys components consist of a base body and a surrounding vulcanized foil edge and the respective tops for example injection nozzles. The RRSys components can be applied homogeneously because of the vulcanized foil edge. As the usual flange would not apply the RRSys components allow the application of a perfect plane fitment without thickening.

Optional the foil edge can be carried out as PVC, FPO or PE with internal reinforcement. By request we deliver a variety of multi floor nozzles with back-pressure valve – to ensure optimal protection against dirty stagnant water.

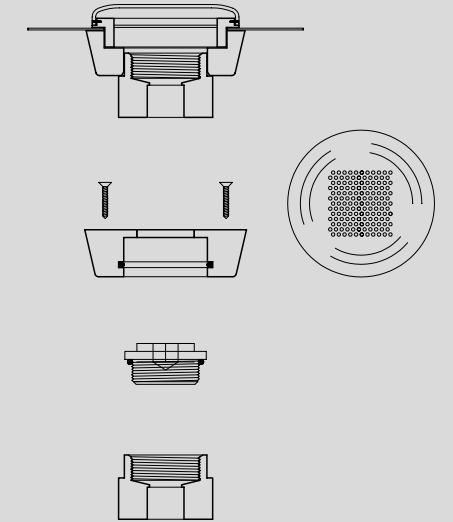
This list of RRSys components represents only a small scope of our possibilities. We can customize other versions and sizes upon your request. In addition we manufacture large customized stainless steel components e.g. ladders and starting blocks. For concrete works we provide body shell sets as formwork girders.



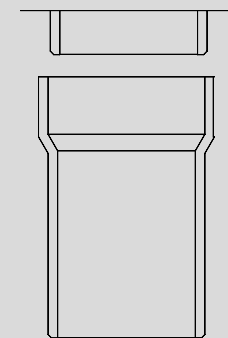
Multi-Inlet-nozzle



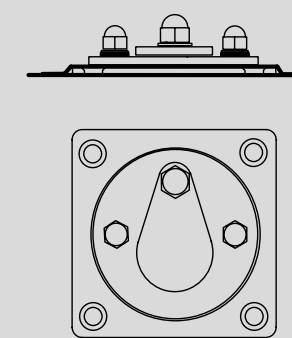
Inlet nozzle "Cross line"



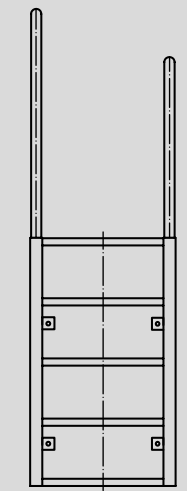
Water sampling connection



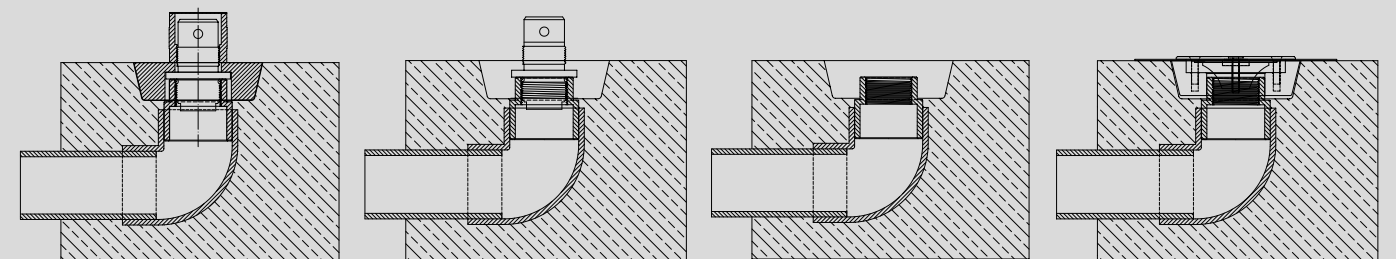
2 piece component
Channel Drain



Stainless steel flange
unit



Stainless steel ladder



Installation steps for formwork girders



To contain water is part of our nature

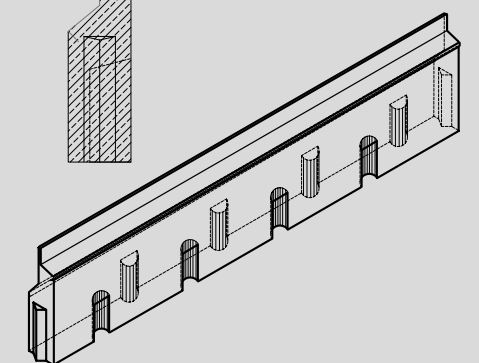
Components for ponds and natural pools

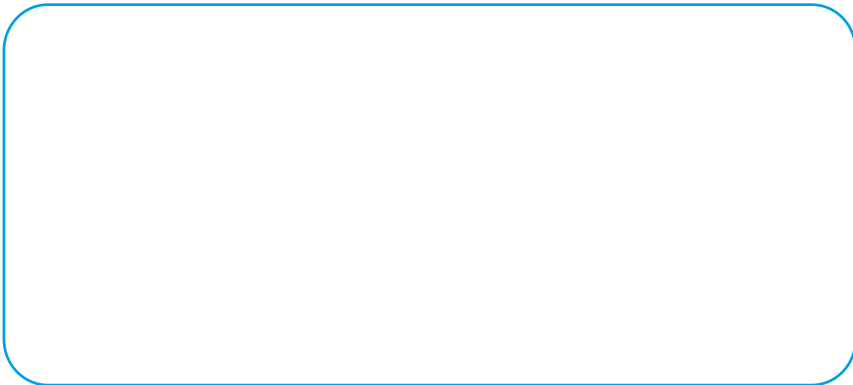
There are no limits in your pond design and it goes without saying that our actual program range covers the respective curb stones and accessories specifically designed for pond pools.

We supply you with pond foils and the necessary mounting parts in the known RRSys format with a surrounding vulcanized foil edge for the proper attachment to the pond lining. On request and for concrete works we provide building shells as formwork girders for your disposal.

Pond curbstones build of concrete with incorporated foil iron sheet (FPO/PVC) are optimal appliances for a clean delimitation of paving stones, greening or sanding. With a maximum length of one meter per segment it is easy to construct individual circle- or ellipse forms by segment cutting.

The clips for the curbstones are prefabricated out of foil iron sheet and they are suitable to weld them properly on the pond refractory lining. The clips will be plugged on a customary curbstone without extra fixation.





We look forward to you.

Call or write us.

We would be pleased to guide you for realizing your individual project.

Reinhardt-Plast GmbH

Valterweg 3

DE-65817 Eppstein-Bremthal

fon +49 (0) 61 98 - 95 33

fax +49 (0) 61 98 - 17 78

info@rp-poolsysteme.de

www.rp-poolsysteme.de